

(12) INTERNATIONAL APPLICATION PUBLISHED UNDER THE PATENT COOPERATION TREATY (PCT)

(19) World Intellectual Property Organization
International Bureau



(43) International Publication Date
2 August 2001 (02.08.2001)

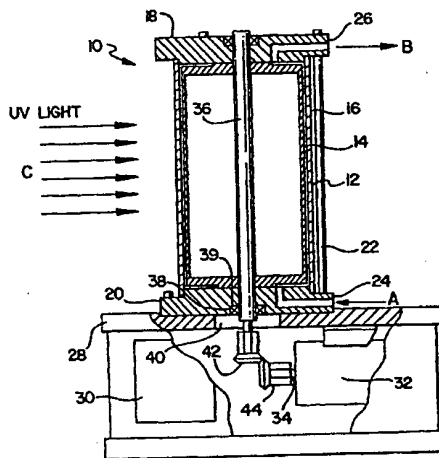
PCT

(10) International Publication Number
WO 01/54738 A1

- (51) International Patent Classification: A61L 2/10, 2/02, A61M 1/36
- (21) International Application Number: PCT/US01/02582
- (22) International Filing Date: 26 January 2001 (26.01.2001)
- (25) Filing Language: English
- (26) Publication Language: English
- (30) Priority Data: 09/493,848 28 January 2000 (28.01.2000) US
- (71) Applicant: BAXTER INTERNATIONAL INC. [US/US]; One Baxter Parkway, Deerfield, IL 60015 (US).
- (72) Inventors: WOO, Lecon; 1013 Shari Lane, Libertyville, IL 60048 (US). BOGGS, Daniel, R.; 30039 N. Waukegan Road #118, Lake Bluff, IL 60044 (US). STERNBERG, Shmuel; 709 E. Lenox Lane, Palatine, IL 60067 (US). SANDFORD, Craig; 65 West Jeffrey, Wheeling, IL 60090 (US). KHARE, Atul; 1529 Magnolia Drive, Crystal Lake, IL 60014 (US). BREILLATT, Julian; 933 Highland Road, Mundelein, IL 60060 (US).
- (74) Agents: FARACI, C., Joseph et al.; Baxter Healthcare Corporation, P.O. Box 15210, Irvine, CA 92623-5210 (US).
- (81) Designated States (national): AE, AL, AM, AT, AU, AZ, BA, BB, BG, BR, BY, CA, CH, CN, CR, CU, CZ, DE, DK, DM, EE, ES, FI, GB, GD, GE, GH, GM, HR, HU, ID, IL, IN, IS, JP, KE, KG, KP, KR, KZ, LC, LK, LR, LS, LT, LU, LV, MA, MD, MG, MK, MN, MW, MX, NO, NZ, PL, PT, RO, RU, SD, SE, SG, SI, SK, SL, TJ, TM, TR, TT, TZ, UA, UG, UZ, VN, YU, ZA, ZW.
- (84) Designated States (regional): ARIPO patent (GH, GM, KE, LS, MW, MZ, SD, SL, SZ, TZ, UG, ZW), Eurasian patent (AM, AZ, BY, KG, KZ, MD, RU, TJ, TM), European patent (AT, BE, CH, CY, DE, DK, ES, FI, FR, GB, GR, IE, IT, LU, MC, NL, PT, SE, TR), OAPI patent (BF, BJ, CF, CG, CI, CM, GA, GN, GW, ML, MR, NE, SN, TD, TG).
- Published:
— with international search report
— before the expiration of the time limit for amending the claims and to be republished in the event of receipt of amendments

[Continued on next page]

(54) Title: DEVICE AND METHOD FOR PATHOGEN INACTIVATION OF THERAPEUTIC FLUIDS WITH STERILIZING RADIATION



WO 01/54738 A1

(57) Abstract: A device and method for inactivating pathogens in therapeutic fluids with sterilizing radiation in a continuous flow arrangement while exhibiting radiation dose uniformity and narrow residence time distribution of the fluid within the device. The device (10) comprises a radiation permeable cylindrical tube (12) having a concentric cylindrical rotor (14) disposed therein, thereby providing a thin gap (16) therebetween. A top plate (18) having a fluid outlet (26) and a bottom plate (20) having a fluid inlet (24) seal the cylindrical tube (12). The inlet (24) and outlet (26) are both in fluid communication with the thin gap (16). A rotor shaft (36) is disposed axially through the cylindrical rotor (14) and is connected to a motor (30). A pump provides fluid flow through the device (10). A radiation source provides sterilizing radiation to the fluid through the cylindrical tube (12). As the fluid flows, the motor (30) drives the rotor (14) to impart Taylor vortices to the fluid flow, which exchanges the fluid closer to the cylindrical tube (12) with the fluid closer to the rotor (14).

BEST AVAILABLE COPY

WO 01/54738 A1



For two-letter codes and other abbreviations, refer to the "Guidance Notes on Codes and Abbreviations" appearing at the beginning of each regular issue of the PCT Gazette.

by sterilizing radiation than the protein products treated.

U.S. Patent No. 5,133,932 describes an apparatus for batch treatment of biological fluids with ultraviolet radiation. However, the batch processing method disclosed causes irradiation of the fluids in a spatially uneven manner. Furthermore, the random and chaotic agitation process disclosed causes broad exposure time for various fluid components. This uneven exposure may cause inconsistent radiation dosage, which may result in ineffective pathogen removal (underexposure) or damage to beneficial biological agents (overexposure).

A continuous flow process for the irradiation of biological fluids is more effective than batch processing and is more conducive to high volume production. In a continuous flow process involving a constant sterilizing radiation illumination field, the transit time, or residence time, of the fluid is directly related to the radiation dose received by the fluid. Therefore, a continuous flow treatment process requires that the distribution of the residence times of the fluid elements be as narrow as possible. By analogy with the batch process, short residence time distributions lead to an insufficient inactivation dose of radiation and long residence time distributions could lead to damage and reduced potency of beneficial biological agents.

Present continuous flow methods involve fluid flow in a channel. A parabolic velocity profile exists for such fluid flow. In this profile, the fluid at the center of the channel is traveling at maximum velocity and the fluid close to the channel wall remains nearly stationary. Therefore, the residence time is the shortest for the maximum velocity at the center and increases for successive portions of the flow profile moving radially outwardly from the center. In the absence of turbulence or mechanical agitation, the flow volume near the channel walls would have an extremely long residence time. Thus, the flow volume near the channel walls runs the risk of overexposure to the radiation. In addition, if the particular channel wall is on the proximal side of the radiation source, very serious overexposure of the biological fluid can occur.

In addition to residence time distribution, the penetration depth of sterilizing radiation into various biological fluids is also a factor in controlling consistent radiation dosage of the fluid. Depending on the optical density of a particular biological fluid, the penetration of sterilizing radiation into the fluid can be very shallow. This is especially true in the case of low or moderate energy accelerated electrons or short wavelength UV radiation. For example, the penetration of 200KeV electrons into water is less than 0.5 mm (20 mils). Similarly, UV radiation at 250 nm wavelength loses half of the intensity in human plasma at about a 75 micron (about 3

mils) penetration. Thus, a relatively thin fluid flow path can be advantageous in providing a more uniform radiation dosage to the fluid.

International Application No. PCT/GB97/01454 describes a UV irradiation apparatus that utilizes a static mixer disposed within a cylindrical fluid passage to facilitate mixing of the fluid. The apparatus also incorporates a heat exchanger to control the fluid temperature and prevent localized heating during irradiation. The localized heating purportedly causes the formation of insoluble particles of material. These particles may screen pathogens from the UV radiation, and, therefore, the '01454 patent application provides a heat exchanger to reduce the likelihood that these particles will form. However, this apparatus focuses on the control of fluid temperature rather than control of residence time distributions of the fluid. The presence of the static mixer increases the flow resistance and has a significant adverse effect on the residence time distribution of the fluid and also significantly increases the pressure head of the fluid flow, thereby making this device less conducive to high volume throughput. Furthermore, the deep channels formed between the screw elements is conducive to non-uniform radiation dosage of the fluid despite the mixing of the fluid. This apparatus does not provide a controlled method for dealing with non-uniform dose exposure due to shallow penetration depth.

It is therefore an object of the present invention to provide a continuous flow device and method that is highly effective in uniformly irradiating high optical density fluids having low radiation penetrations.

It is also an object of the present invention to provide a continuous flow device and method for pathogen inactivation of biological fluids with sterilizing radiation utilizing a controlled and predictable mixing of the fluid that promotes a more uniform radiation exposure for fluids having high optical densities.

It is also an object of the present invention to provide a continuous flow device and method that provides radial mixing of the fluid with minimal pressure drop in the fluid flow.

It is also an object of the present invention to provide a continuous flow device and method that provides a uniform and narrow residence time distribution of the fluid within the device, thereby providing yet another control over radiation exposure.

It is another object of the present invention to provide a continuous flow device and method having a minimal air/fluid interface, thereby minimizing protein degradation in the fluid.

It is another object of the present invention to a continuous flow device and method that minimizes shear stress and shear induced degradation of high protein

fluid products.

It is another object of the present invention to provide a continuous flow device and method that is scalable and therefore capable of high volume throughput that is conducive to manufacturing production lines.

5 It is another object of the present invention to provide a continuous flow device and method that is economical and cost effective.

It is another object of the present invention to provide a continuous flow device and method that is adaptable to various different radiation sources.

10 It is another object of the present invention to provide a continuous flow device and method that allows for ease of cleaning.

It is another object of the present invention to provide a continuous flow device and method that is capable of validation, i.e., demonstration of efficacy, reproducibility and reliability through scientific principles.

15 These and other objects will be readily apparent after reviewing the description and drawings herein.

Summary of the Invention

20 The present invention is a device and method for inactivating pathogens in biological fluids with sterilizing radiation in a continuous flow path arrangement that exhibits radiation dose uniformity and narrow residence time distribution of the fluid within the device. The device also provides controlled and predictable rotation of the fluid through the generation of a secondary flow, which contributes to the control of radiation exposure of the fluid. The device is particularly effective in providing radiation dose uniformity for fluids having high optical densities.

25 The device comprises a radiation permeable cylindrical tube having a concentric cylindrical rotor disposed within the tube, thereby providing a relatively thin gap therebetween. A top and bottom plate seal the tube. The top and bottom plates are held together with tie rods. The bottom plate has a fluid inlet in fluid communication with the thin gap between the tube and the rotor. The top plate has a fluid outlet that is likewise in fluid communication with the gap between the tube and the rotor. The bottom plate is secured to a base, which contains a drive controller and a motor having a drive shaft. A rotor shaft is disposed axially through the cylindrical rotor and extends through a rotor aperture in the bottom plate. The rotor shaft also extends through an aperture in the base and is mechanically connected to the motor via a rotor shaft gear and a motor gear on the drive shaft of the motor.

35 A pump or other means provides fluid flow through the device from the inlet in the bottom plate to the outlet in the top plate. As the fluid flows upwardly through the device, a radiation source provides sterilizing irradiation of the fluid through the tube.

The radiation source provides sterilizing UV radiation at the optimal wavelengths for the particular fluid. The gap between the tube and the rotor is designed to provide a high flow rate of the fluid with minimal pressure drop in the fluid flow. As the fluid flows, the motor drives the rotor to impart a secondary flow within the fluid in the form of Taylor vortices, which exchanges the fluid closer to the tube with the fluid closer to the rotor. The controlled and predictable mixing caused by the Taylor vortices provides a uniform radiation dosage of the fluid flowing through the device. The device also exhibits a narrow residence time distribution of the fluid within the device.

In another embodiment, the device comprises a relatively flat rigid fluid chamber having a radiation permeable flat top surface, an inner bottom surface and a fluid inlet and a fluid outlet. The chamber has angled side surfaces projecting outwardly from the fluid inlet and forming a diffuser for a fluid flowing through the inlet. The outlet of the chamber may also be configured with angled side surfaces to reduce the pressure head at the outlet. A radiation source is provided adjacent to the top surface of the chamber. A cascading base having a cascading upper surface is disposed on the inner bottom surface within the fluid chamber. The cascading upper surface has a plurality of humps that create a cascading effect on a fluid as it flows through the chamber. As the fluid flows through the chamber, a thin film of fluid falls over each hump and is exposed to the radiation passing through the high transparency plate. The cascading base geometry imparts a secondary flow within the fluid in the form of an eddy formation. The eddy formation provides controlled and predictable mixing of the fluid to insure uniform radiation exposure of the fluid.

Brief Description of the Drawings

FIG. 1 is a cross-sectional side elevational view of a device for inactivating pathogens in therapeutic fluids with sterilizing radiation as described herein.

FIG. 2 is a top view of the device depicted in FIG. 1.

FIG. 3 is a partial cross-sectional side view of a second embodiment of the present invention.

FIG. 4 is a partial cross-sectional top view of the device depicted in FIG. 3 showing angled side surfaces adjacent to an inlet of the device.

FIG. 5 is a graph depicting ultraviolet radiation absorptivity of human plasma at 42-fold dilution between 200 nm and 350 nm UV wavelengths.

FIG. 6 is a graph depicting light intensity as a function of penetration depth at absorbances of 20, 40 and 100.

FIG. 7 is a graph depicting the residence time distribution for a fluid flowing

through the device at various RPMs of a rotor disposed within a fluid chamber of the device depicted in FIGS. 1 and 2.

FIG. 8 is a graph illustrating the method of calculating a residence time of 80% of the fluid within the device depicted in FIGS. 1 and 2 at a given flow rate.

5

Detailed Description of the Invention

While the present invention will be described fully hereinafter with reference to the accompanying drawings, in which a particular embodiment is shown, it is to be understood at the outset that persons skilled in the art may modify the invention herein described while still achieving the desired result of this invention. Accordingly, the description which follows is to be understood as a broad informative disclosure directed to persons skilled in the appropriate arts and not as limitations of the present invention. Referring to FIGS. 1 and 2, a device 10 is provided for uniformly irradiating a fluid flowing through the device 10. The device 10 comprises a radiation permeable cylindrical tube 12 having a concentric cylindrical rotor 14 disposed within the tube 12, thereby providing a thin gap 16 therebetween. The cylindrical tube 12 is highly transparent to the type of radiation being used to sterilize the particular fluid. Preferably, the cylindrical tube 12 is made from fused quartz or poly(methylpentene). A top plate 18 and a bottom plate 20 seal the cylindrical tube 12. The top and bottom plates 18 and 20 are held together with one or more tie rods 22. The bottom plate 20 has a fluid inlet 24 in fluid communication with the thin gap 16 between the cylindrical tube 12 and the rotor 14. The top plate 18 has a fluid outlet 26 that is likewise in fluid communication with the thin gap 16 between the cylindrical tube 12 and the rotor 14. A fluid flow direction is indicated by arrows A and B in FIG. 1. However, the fluid inlet 24 and the fluid outlet 26 can be provided at any position on the cylindrical tube 12. The top and bottom plates 18 and 20 are designed to provide a fluid-tight seal between the cylinder and the top and bottom plates 18 and 20. An o-ring, grommet, or other form of material (not shown) having a durometer suitable for providing a compression-type seal can be used to provide the seal.

The bottom plate 20 is secured to a base 28, which contains a drive controller 30 and a motor 32 having a drive shaft 34. A rotor shaft 36 is disposed axially through the cylindrical rotor 14 and extends through a rotor aperture 38 in the bottom plate 20. A rotor seal 39 is concentrically disposed around the rotor shaft 36 and within the rotor aperture 38. The rotor seal 39 prevents the fluid from leaking out of the cylindrical tube 12. The rotor shaft 36 also extends through an aperture 40 in the base 28 and is mechanically connected to the motor 32 via a rotor shaft gear 42 and a motor gear 44 on the drive shaft 34 of the motor 32. Alternatively, the motor 32 can be directly connected to the rotor shaft 36. In this configuration, the motor 32 is mounted

35

in an upright position and in-line with the rotor shaft 36.

A pump (not shown) or other means provides fluid flow through the device 10 from the inlet 24 in the bottom plate 20 to the outlet 26 in the top plate 18. As the fluid flows upwardly through the cylindrical tube 12 of the device 10, a radiation source (not shown) provides radiation (indicated by arrows C) of the fluid through the cylindrical tube 12. Alternatively, the fluid inlet 24 and the fluid outlet 26 can be provided at any position on the tube 12 to provide fluid flow in any direction. The gap 16 between the cylindrical tube 12 and the rotor 14 provides a relatively thin fluid path that is conducive to a high flow rate and minimal pressure drop of a fluid passing through the device 10. As the fluid flows, the motor 30 drives the rotor 14 to impart a secondary flow to the fluid in the form of Taylor vortices, which exchanges the fluid closer to the cylindrical tube 12 with the fluid closer to the rotor 14. The combination of the fluid path and the mixing caused by the Taylor vortices provides a narrow residence time distribution of the fluid within the device 10.

The rotor 14 of the device 10 can be coated or printed with a UV reflective material, such as a metal oxide, to further aid in providing uniform radiation exposure of the fluid. Preferably, the coating is magnesium oxide or titanium oxide. Furthermore, fiberoptic technology can be incorporated in the rotor 14 of the device 10 to provide radiation from the rotor as well as through the tube 12 from the radiation source. This arrangement provides irradiation of the fluid from two sides of the fluid flow.

FIG. 3 shows another embodiment in the form of a device 110. The device 110 comprises a relatively flat rigid fluid chamber housing 112 defining a fluid chamber 113 therein. The fluid chamber housing 112 has a radiation permeable flat top surface 114, a fluid inlet 116 and a fluid outlet 118. The chamber 113 has angled side surfaces 120 and 122 projecting outwardly from the fluid inlet 116 and forming a diffuser 124 for a fluid flowing through the inlet 116, as shown in FIG. 4. The outlet 118 of the chamber housing 112 may also be configured with angled side surfaces to reduce the pressure head at the outlet 116. The flat top surface 114 of the fluid chamber housing 112 is made from a material that is highly transparent to the type of radiation being used to sterilize a particular fluid. A cascading base 126 comprises the bottom of the fluid chamber 113. The cascading base 126 has a cascading upper surface 128 disposed within the fluid chamber 113. The cascading upper surface 128 has a plurality of humps 130 that create a cascading effect on a fluid as it flows through the chamber 113.

As the fluid flows through the chamber 113, a thin film of fluid falls over each hump 130 and is exposed to the radiation (indicated by arrows C in FIG. 3) passing

through the high transparency top surface 114. The cascading base 126 imparts a secondary flow within the fluid in the form of an eddy formation. The eddy formation provides controlled and predictable mixing of the fluid to insure uniform radiation exposure of the fluid within the fluid chamber 113.

5 The cascading base 126 can be injection molded from several commonly available plastics, such as ABS, modified acrylics and modified PET. These resins can also be blended with pigments that are highly reflective to UV radiation, such as inorganic oxides. Alternatively, the cascading upper surface 128 can be coated or
10 printed with a UV reflective material, such as a metal oxide, to further aid in providing uniform radiation exposure of the fluid. Preferably, the coating is magnesium oxide or titanium oxide.

 The radiation source utilized for sterilizing the fluid is preferably an ultraviolet (UV) radiation source, such as an ionizing UV laser or pulse laser. However, gamma or electron beam (beta) radiation can also be used. The type of sterilizing radiation
15 may vary according to the particular fluid being sterilized. All of these types of sterilizing radiation have been found to be effective against a broad range of pathogens. The graph depicted in FIG. 5 shows the absorptivity of human plasma over a range of wavelengths for UV radiation. Preferably, UV radiation having a wavelength between 240 nm and 250 nm is used for treating human plasma.

20 The penetration of sterilizing radiation into many biological fluids is quite shallow. FIG. 6 shows a graph depicting light intensity as a function of penetration depth at absorbances of 20, 40 and 100. UV radiation at 250 nm wavelength loses half of the intensity in human plasma at about a 0.15 mm (6 mils) penetration. This can lead to non-uniform dose distribution of the radiation within the fluid, especially at the
25 fluid chamber wall. The Taylor vortices imparted in the fluid by the device 10 and the eddy formation imparted by the cascading base 126 of the device 110 substantially minimize this effect, and, therefore, provide for more uniform radiation exposure of the fluid. Therefore, these devices are particularly effective in providing uniform radiation dosages to fluids having high optical densities.

30 The reduction in residence time distribution of the fluid within the device 10 will be demonstrated by the following example.

EXAMPLE

A small amount of blue dye solution was injected into the fluid stream as it entered the device. The blue dye was used to measure the residence time of the fluid within the device through the use of a spectrophotometer. The absorbance of the fluid stream was monitored as a function of time as it exited through the fluid outlet of the device. The absorbance was monitored using a flow-through spectrophotometer attached to a data acquisition system. A special injector valve was used to insure that the same amount of dye was used in each iteration. A glycerol-water solution was used to simulate the viscosity of plasma (about 3 cp at 4 °C). The measured viscosity of the glycerol-water solution was 2.77 cp. For this experiment, the flow rate was 102 ml per minute and the gap between the rotor and the cylinder was 0.1088 inches. Absorbance readings were taken every 0.5 seconds.

The graph shown in FIG. 7 graphically depicts the results of the experiment, the results of which are tabulated in Table 1.

TABLE 1

Rotor	Taylor	Iteration	Mean	Standard	Coefficient	Coefficient
0	-	1	31.7	25.3	2.73	79.8
50	2,066	1	48.3	12.8	2.59	26.5
100	8,264	1	50.1	12.4	1.54	24.8
200	33,056	1	49.3	19.6	1.37	39.8
300	74,378	1	48.5	22.1	1.19	45.6
400	132,227	1	49.2	24.6	1.32	50.0
500	206,605	1	49.2	25.4	1.30	51.6

The absorbance-time data collected were analyzed as follows. The normalized distribution, $A(t)$, was first calculated from the raw distribution, $R(t_i)$, using

$$A(t_j) = \frac{R(t_j)}{\Delta t \sum_{i=1}^n R(t_i)}$$

where Δt is the time between absorbance readings. The mean residence time, μ , was then calculated as

$$\mu = \Delta t \sum_1^n t_i A(t_i)$$

5

The standard deviation is defined here as the square root of the second moment of $A(t_i)$:

$$\sigma = \sqrt{\Delta t \sum_1^n (t_i - \mu)^2 A(t_i)}$$

10

15 The coefficient of skewness, a measure of the asymmetry of the distribution, is defined as

$$\gamma = \frac{m_3}{\sigma^3}$$

20

where m_3 is the third moment of $A(t_i)$:

$$m_3 = \Delta t \sum_1^n (t_i - \mu)^3 A(t_i)$$

25

30

The Taylor number, which determines whether Taylor vortices are present, is given by

$$Ta = \frac{2 \eta^2 \omega^2 g^4}{(1 - \eta^2) v^2}$$

35

where ω is the angular velocity of the rotor, g is the gap, ζ is the ratio of the rotor radius to the tube radius, and ν is the kinematic viscosity of the fluid. Vortices are present at Taylor numbers above 1724.

5 The bars at the top of the graph in FIG. 7 represent the residence time of 80% of the fluid within the device 10 at a flow rate of 102 ml per minute. The method of determining these times is graphically illustrated, by way of example, in FIG. 8. The curve depicted in FIG. 8 is the 50 rpm curve depicted in FIG. 7. This example
10 demonstrates that the shortest residence time distribution was achieved when the rotor of the device operated between 0 and 100 rpm.

 While the specific embodiments have been illustrated and described, numerous modifications come to mind without significantly departing from the spirit of the invention and the scope of protection is only limited by the scope of the accompanying
15 Claims.

Claims

What is claimed is:

1. A device for inactivating pathogens in fluids comprising:
a radiation permeable container in fluid communication with a fluid in a fluid
5 flow;
a mixer disposed within the container, the mixer providing controlled and
predictable mixing of the fluid; and
a radiation source disposed at a fixed distance from the container, wherein the
radiation source irradiates the fluid moving through the container.
10
2. The device of claim 1, wherein the radiation permeable container is made from
quartz.
3. The device of claim 1, wherein the radiation permeable container is made from
15 poly(methylpentene).
4. The device of claim 1, wherein the radiation source is an ultraviolet radiation
source.
- 20 5. The device of claim 1, wherein the radiation source is an ionizing ultraviolet
laser.
6. The device of claim 5, wherein the ionizing ultraviolet laser is a pulsed laser.
- 25 7. The device of claim 5, wherein the ionizing ultraviolet laser provides
ultraviolet light emission between approximately 240 nm and 260 nm.
8. The device of claim 7, wherein the ultraviolet light emission energy is greater
than 0.1 J.
30
9. A device for inactivating pathogens in fluids comprising:
a radiation permeable container in fluid communication with a fluid in a fluid
flow;
35 a mixer disposed within the container and forming a gap between the mixer
and the container, wherein the mixer imparts a secondary flow within the fluid flow
moving through the gap; and
a sterilizing ultraviolet radiation source disposed at a fixed distance from the

container, the source providing irradiation of the fluid moving through the gap.

10. The device of claim 9, wherein the mixer comprises a rotating cylinder.
- 5 11. The device of claim 9, wherein the mixer comprises a cascading surface.
12. The device of claim 9, wherein the secondary flow is a Taylor vortex.
13. The device of claim 9, wherein the secondary flow is a geometry induced eddy
10 formation.
14. The device of claim 9, wherein the sterilizing ultraviolet radiation source is an ultraviolet laser.
- 15 15. The device of claim 14, wherein the ultraviolet radiation laser provides ultraviolet light emission between approximately 240 nm and 260 nm.
- 16 The device of claim 15, wherein the ultraviolet light emission energy is greater
20 than 0.1 J.
17. A device for inactivating pathogens in fluids comprising:
a radiation permeable sealed hollow cylinder having an inner surface, a fluid
inlet and a fluid outlet, the fluid inlet and the fluid outlet in fluid communication with a
fluid in a fluid flow;
25 a cylindrical rotor concentrically disposed within the cylinder, thereby creating
a gap between the rotor and the inner surface of the hollow cylinder;
a rotor shaft connected to the cylindrical rotor;
a motor mechanically connected to the rotor shaft and capable of imparting
rotation of the rotor within the cylinder, wherein the rotation of the rotor imparts
30 Taylor vortices within the fluid flow moving through the gap; and
a sterilizing radiation source disposed at a fixed distance from the cylinder that
provides irradiation of the fluid moving through the gap.
18. The device of claim 17, wherein the cylinder is in a vertical position.
- 35 19. The device of claim 17, wherein the cylinder is in a horizontal position.

20. The device of claim 17, wherein the cylinder is sealed with a top plate and a bottom plate.
- 5 21. The device of claim 20, wherein the fluid outlet passes through the top plate and the fluid inlet passes through the bottom plate.
22. The device of claim 17, wherein the rotor rotates at a speed approximately between 0 and 200 revolutions per minute.
- 10 23. The device of claim 17, wherein the rotor rotates at a speed approximately between 0 and 100 revolutions per minute.
24. The device of claim 17, wherein the rotor rotates at a speed approximately between 50 and 100 revolutions per minute.
- 15 25. The device of claim 17, wherein the rotor has a radiation reflective coating thereon.
26. The device of claim 17, wherein the rotor is made from a radiation reflective material.
- 20 27. A device for inactivating pathogens in fluids comprising:
a radiation permeable container in fluid communication with a fluid in a fluid flow, the container defining a fluid path including a cascading surface that imparts a secondary flow within the fluid flow moving through the fluid path of the container;
25 and
a sterilizing radiation source disposed at a fixed distance from the container, the source providing irradiation of the fluid moving through the fluid path of the container.
- 30 28. The device of claim 27, wherein the sterilizing radiation source is an ultraviolet laser.
29. The device of claim 28, wherein the ultraviolet laser is a pulsed laser.
- 35 30. The device of claim 27, wherein the sterilizing radiation source provides ultraviolet light emission between approximately 240 nm and 260 nm.

31. The device of claim 30, wherein the ultraviolet light emission energy is greater than 0.1 J.
- 5 32. The device of claim 27, wherein the container has a rectangular shape having a top flat surface.
33. The device of claim 32, wherein the top flat surface is made of quartz.
- 10 34. The device of claim 32, wherein the top flat surface is poly(methylpentene).
35. The device of claim 27, wherein the cascading surface of the container is coated with a radiation reflective material.
- 15 36. The device of claim 27, wherein the cascading surface of the container is made of a radiation reflective material.
37. A method for inactivating pathogens in fluids with sterilizing radiation in a continuous flow arrangement comprising the steps of:
- 20 forming a fluid path for a fluid in a continuous fluid flow;
imparting a secondary flow of the fluid within the fluid path; and
radiating the fluid within the fluid path.
38. The method of claim 37, wherein the imparted secondary flow is a Taylor vortex within the thin fluid path of the fluid flow.
- 25 39. The method of claim 37, wherein the imparted secondary flow is a geometry induced eddy formation.

FIG. 1

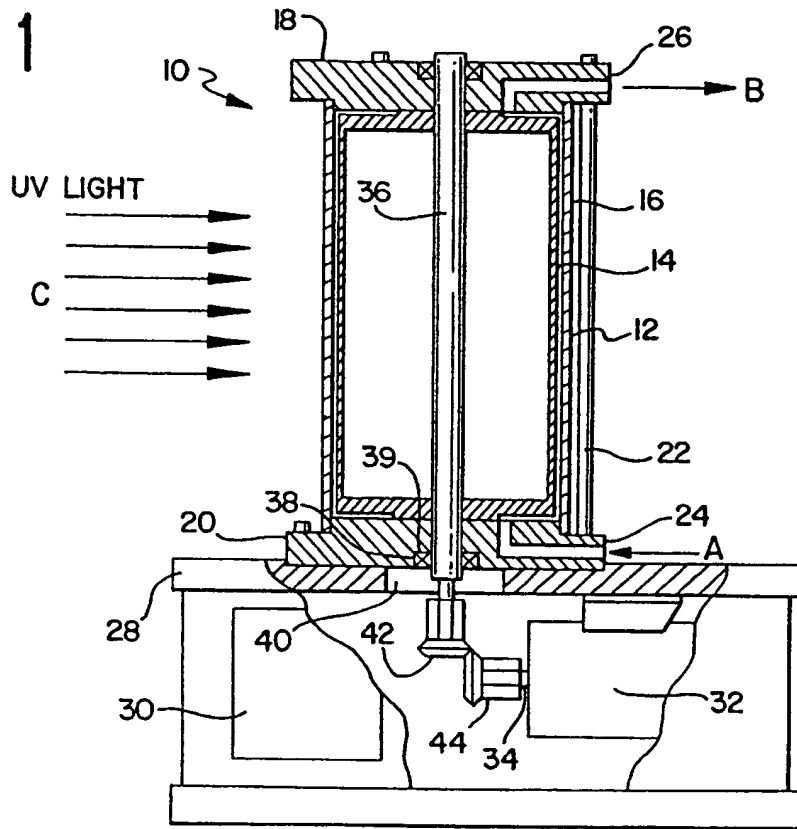


FIG. 2

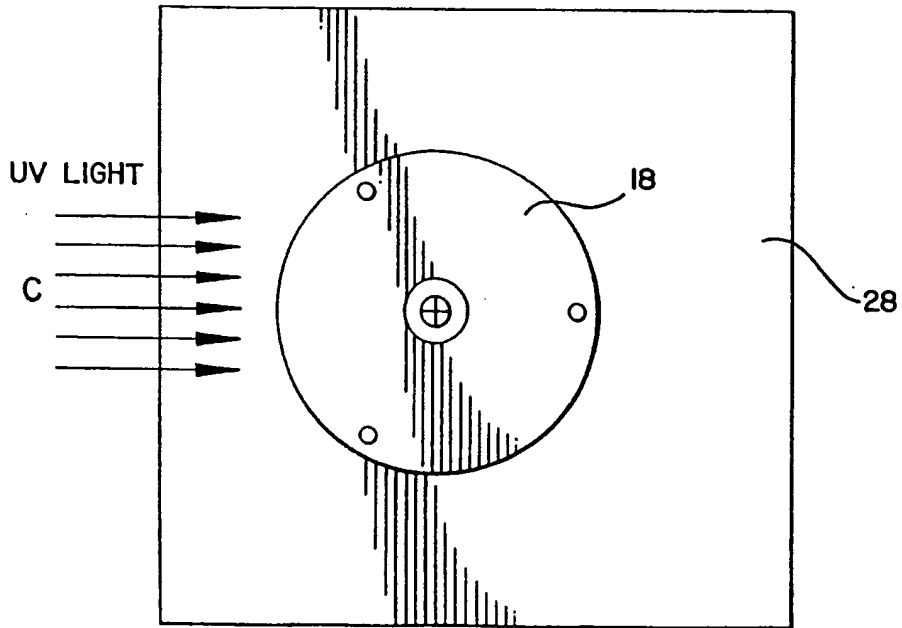


FIG. 3

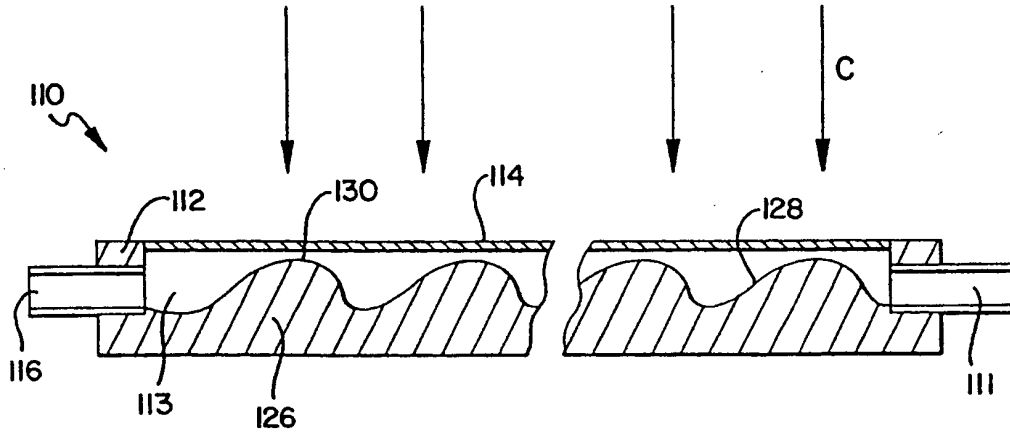
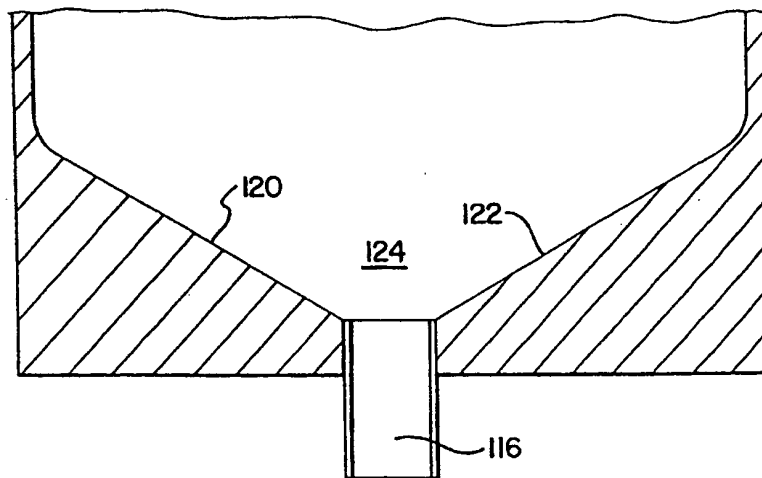


FIG. 4



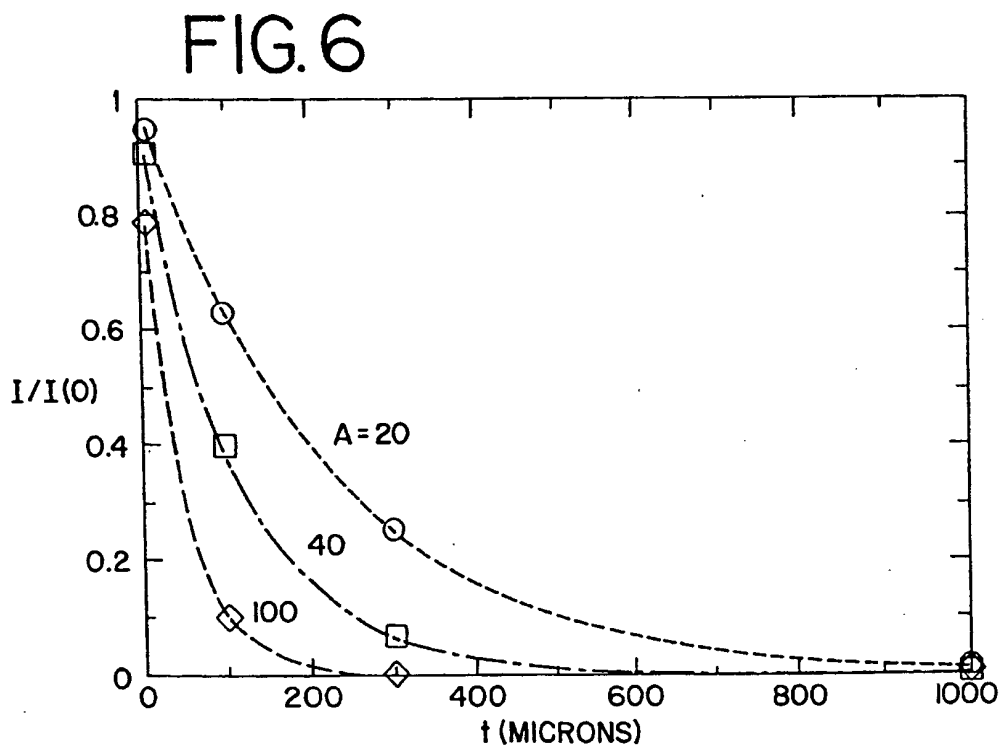
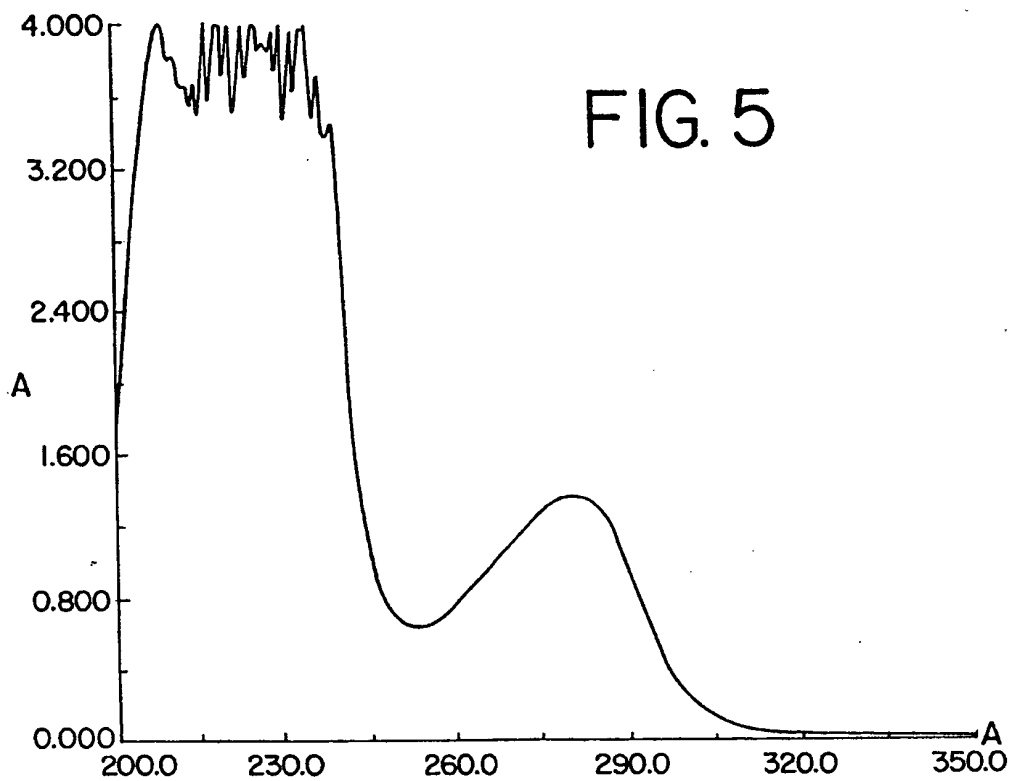


FIG. 7

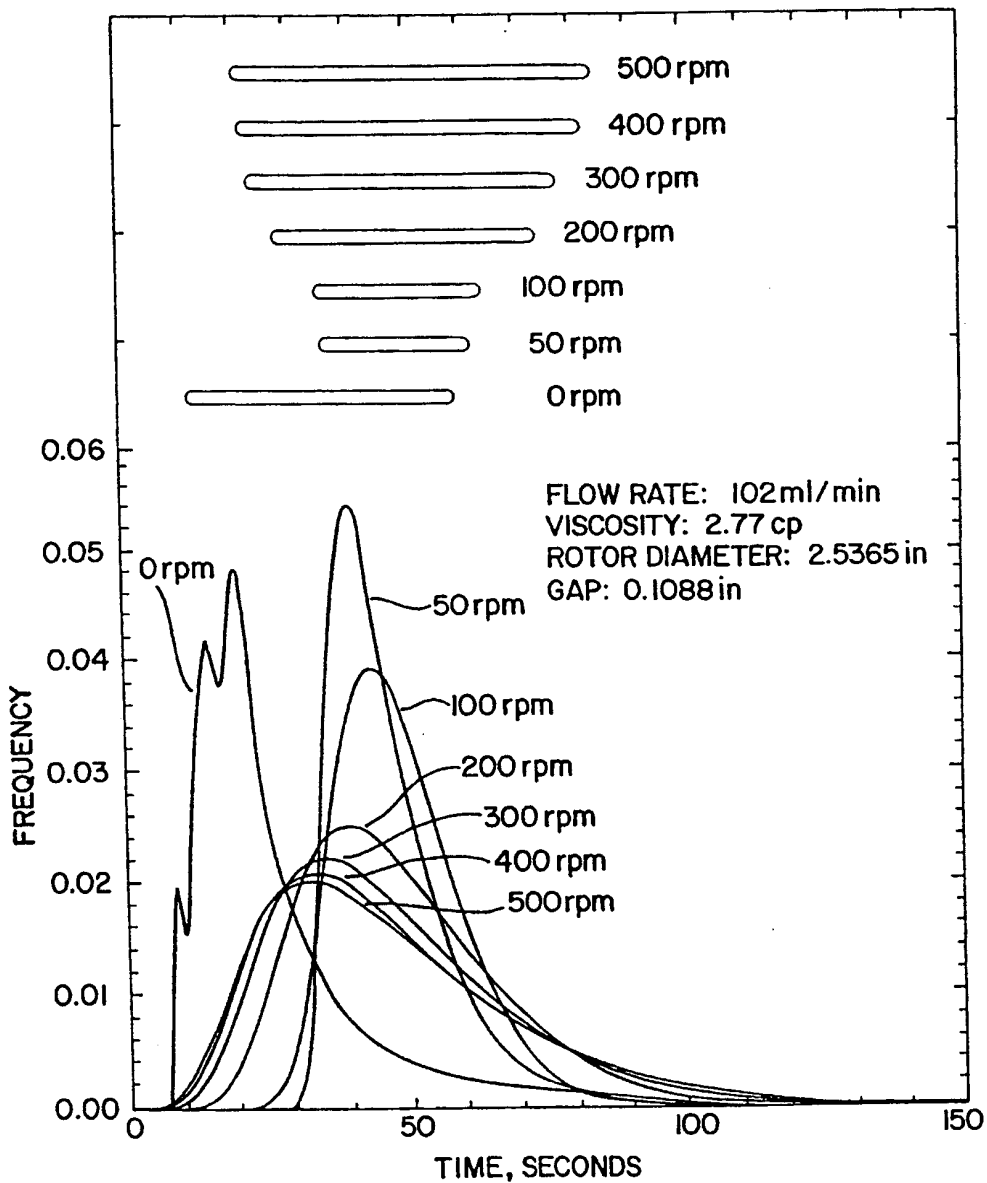
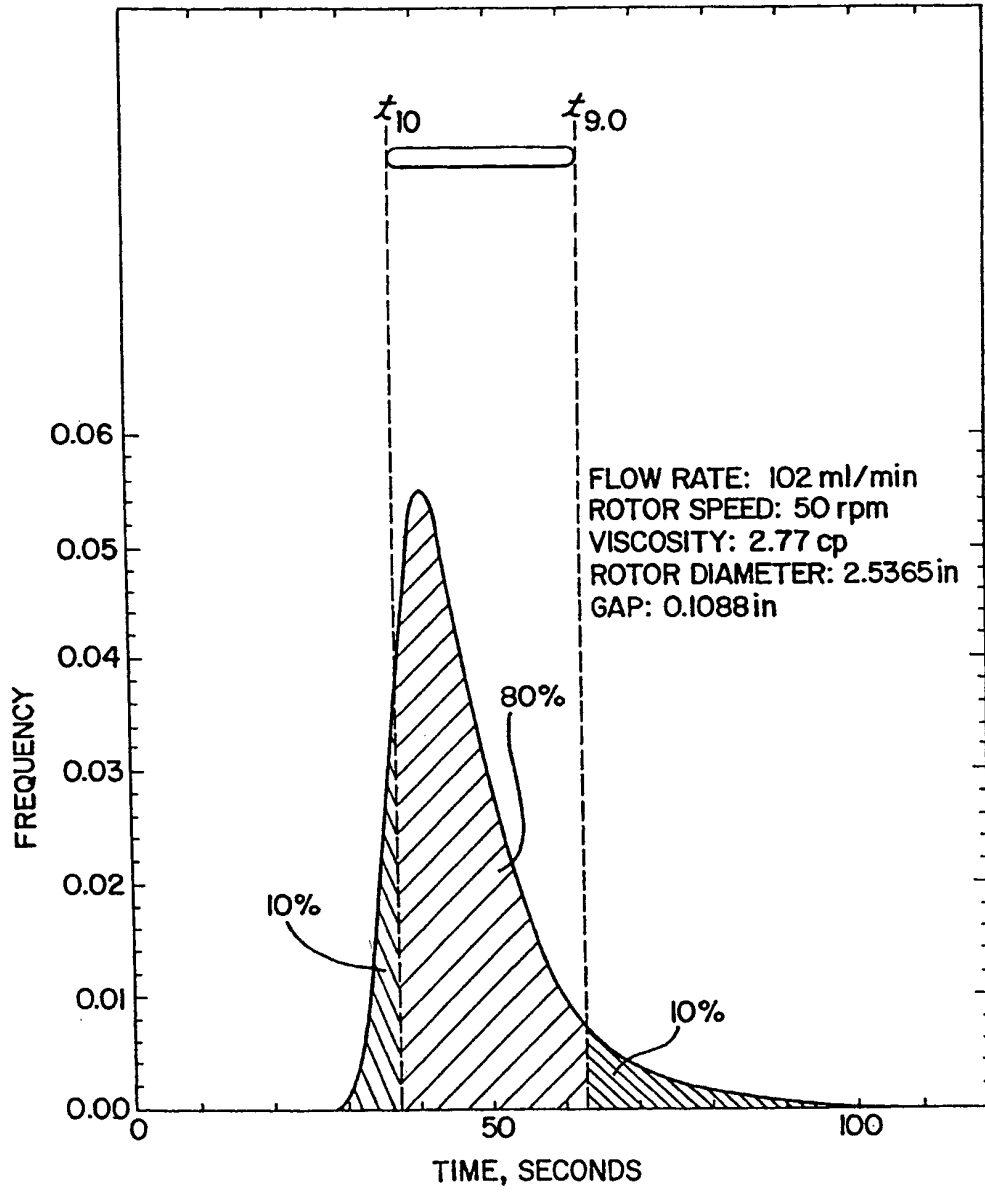


FIG. 8



INTERNATIONAL SEARCH REPORT

International Application No
PCT/US 01/02582

A. CLASSIFICATION OF SUBJECT MATTER
IPC 7 A61L2/10 A61L2/02 A61M1/36

According to International Patent Classification (IPC) or to both national classification and IPC

B. FIELDS SEARCHED

Minimum documentation searched (classification system followed by classification symbols)
IPC 7 A61L A61M

Documentation searched other than minimum documentation to the extent that such documents are included in the fields searched

Electronic data base consulted during the international search (name of data base and, where practical, search terms used)

EPO-Internal, WPI Data, PAJ

C. DOCUMENTS CONSIDERED TO BE RELEVANT

Category	Citation of document, with indication, where appropriate, of the relevant passages	Relevant to claim No.
X	DE 35 00 385 A (STADTLAENDER MARGIT;NIENS WERNER) 18 September 1986 (1986-09-18) claims	1,2
X	WO 92 11060 A (BAXTER INT) 9 July 1992 (1992-07-09) claims; figures	1
A	US 5 770 147 A (MUELLER HANS) 23 June 1998 (1998-06-23) claims; figures	1-39
A	EP 0 201 650 A (AUTOTROL CORP) 20 November 1986 (1986-11-20) claims; figures	1-39
	--- -/--	

Further documents are listed in the continuation of box C.

Patent family members are listed in annex.

* Special categories of cited documents :

- *A* document defining the general state of the art which is not considered to be of particular relevance
- *E* earlier document but published on or after the international filing date
- *L* document which may throw doubts on priority claim(s) or which is cited to establish the publication date of another citation or other special reason (as specified)
- *O* document referring to an oral disclosure, use, exhibition or other means
- *P* document published prior to the international filing date but later than the priority date claimed

- *T* later document published after the international filing date or priority date and not in conflict with the application but cited to understand the principle or theory underlying the invention
- *X* document of particular relevance; the claimed invention cannot be considered novel or cannot be considered to involve an inventive step when the document is taken alone
- *Y* document of particular relevance; the claimed invention cannot be considered to involve an inventive step when the document is combined with one or more other such documents, such combination being obvious to a person skilled in the art.
- *G* document member of the same patent family

Date of the actual completion of the international search

29 June 2001

Date of mailing of the international search report

10/07/2001

Name and mailing address of the ISA

European Patent Office, P.B. 5818 Patentlaan 2
NL - 2280 HV Rijswijk
Tel. (+31-70) 340-2040, Tx. 31 651 epo nl.
Fax: (+31-70) 340-3016

Authorized officer

ESPINOSA, M

1

INTERNATIONAL SEARCH REPORT

International Application No
PCT/US 01/02582

C.(Continuation) DOCUMENTS CONSIDERED TO BE RELEVANT		
Category *	Citation of document, with indication, where appropriate, of the relevant passages	Relevant to claim No.
A	WO 97 46271 A (CAMERON IAN DAVID ;GUNN ANDREW (GB); IATROS LTD (GB); MOWAT DAVID) 11 December 1997 (1997-12-11) cited in the application claims; figure 1 -----	1-39
A	US 5 133 932 A (CAMERON IAN D ET AL) 28 July 1992 (1992-07-28) cited in the application claims -----	1

INTERNATIONAL SEARCH REPORT

Information on patent family members

International Application No

PCT/US 01/02582

Patent document cited in search report	Publication date	Patent family member(s)	Publication date
DE 3500385 A	18-09-1986	NONE	
WO 9211060 A	09-07-1992	AU 646533 B AU 9159391 A CA 2074806 A DE 69130218 D DE 69130218 T EP 0525138 A JP 3051996 B JP 5505126 T US 5290221 A	24-02-1994 22-07-1992 21-06-1992 22-10-1998 12-05-1999 03-02-1993 12-06-2000 05-08-1993 01-03-1994
US 5770147 A	23-06-1998	DE 19531751 A CA 2221289 A WO 9636375 A EP 0825880 A	21-11-1996 21-11-1996 21-11-1996 04-03-1998
EP 0201650 A	20-11-1986	AU 584089 B AU 4247085 A US 4816145 A US 4661264 A	18-05-1989 20-11-1986 28-03-1989 28-04-1987
WO 9746271 A	11-12-1997	AU 2969397 A EP 0910417 A JP 2000511795 T	05-01-1998 28-04-1999 12-09-2000
US 5133932 A	28-07-1992	AT 128629 T AU 623645 B AU 3363689 A DE 68924485 D DE 68924485 T DK 234490 A EP 0422007 A WO 8909067 A JP 2787724 B JP 3503730 T KR 9506931 B RU 2086272 C	15-10-1995 21-05-1992 16-10-1989 09-11-1995 30-05-1996 28-09-1990 17-04-1991 05-10-1989 20-08-1998 22-08-1991 26-06-1995 10-08-1997

**This Page is Inserted by IFW Indexing and Scanning
Operations and is not part of the Official Record**

BEST AVAILABLE IMAGES

Defective images within this document are accurate representations of the original documents submitted by the applicant.

Defects in the images include but are not limited to the items checked:

- BLACK BORDERS**
- IMAGE CUT OFF AT TOP, BOTTOM OR SIDES**
- FADED TEXT OR DRAWING**
- BLURRED OR ILLEGIBLE TEXT OR DRAWING**
- SKEWED/SLANTED IMAGES**
- COLOR OR BLACK AND WHITE PHOTOGRAPHS**
- GRAY SCALE DOCUMENTS**
- LINES OR MARKS ON ORIGINAL DOCUMENT**
- REFERENCE(S) OR EXHIBIT(S) SUBMITTED ARE POOR QUALITY**
- OTHER:** _____

IMAGES ARE BEST AVAILABLE COPY.

As rescanning these documents will not correct the image problems checked, please do not report these problems to the IFW Image Problem Mailbox.